

KANSAS FFA ASSOCIATION EDUCATIONAL EXHIBITS

Superintendents

Guy Shoulders - State FFA Advisor
Mary Kane - State FFA Executive Secretary
Jerry Schmidt – AG Mechanics
TBA– Agronomy Division
Johanna Andres- Horticulture Division
KSU AGED – Leadership/Communications Division



Shared growth. Shared success.

MKC is the proud sponsor of the FFA Department for the 2023 Kansas State Fair

All premium monies earned in the FFA Exhibits and Contest will be paid to the FFA Chapter and not the individual student. All FFA Chapters participating in the FFA Exhibits and Contest must provide a tax identification number in order for the premiums to be paid to the FFA Chapter. ALL Exhibits must be identified with Chapter Name. ALL Individual exhibits must be identified with member's name.

ARRIVAL AND JUDGING DATES FOR FFA EXHIBITS AND CONTESTS

Wednesday, September 6: Building will open for entries from 9:30 AM to 5:00 PM

Thursday, September 7: Building will open for entries from 9:30 AM to 5:00 PM

Friday, September 8: Building will open to receive entries at 8:30 AM. **All FFA Exhibits must be in place by 10:00 AM**

Items that are not displayed may be picked up on September 8 between 5 and 6 PM. No items will be released from September 9 through September 16.

Sunday, September 17: Release time for exhibits is 6:00 PM. For exhibitors that live more than 150 miles away, small items that can be hand carried out can be picked up between 2:00 PM and 6:00 PM. No vehicles are permitted to load out until 6:00 PM. All exhibits are released at 6:00 PM to 7:00 PM on Sunday, Sept. 17 and from 9:00 AM to 1:00 PM on Monday, Sept. 18.

ALL ENTRIES IN THE FFA DIVISION FOR THE 2023 Kansas State Fair MUST BE ENTERED ONLINE BETWEEN JUNE 1 AND AUGUST 25, 2023. Entries fees are \$1 per entry and \$1 per exhibitor/chapter. www.kansasstatefair.com

DIVISION 900 – COUNTY COLLECTIVE BOOTH

1. Competition will be open to any FFA Chapter in the State of Kansas. More than one chapter may exhibit from the same county.
2. Entries for the County Collective exhibits are limited and will close when full or on August 25. Late entries may be accepted - if the number received by August 25 is not sufficient to fill all spaces. The entry will state the name of the Chapter making the exhibit and also the name of the person who will be in charge of the exhibit. Contact Guy Shoulders, State FFA Advisor, for late entries.
3. Exhibits are limited to one collective exhibit to each chapter.
4. Each exhibit must be prepared, entered and displayed by a resident of the county it represents.
5. Samples used in exhibits shall not be procured from the grounds of any county or state institution. Samples must be grown or produced in each respective county during the current year.
6. County collective agricultural exhibits are designed to be educational and to show the agricultural possibilities of the Chapter making the exhibit and to present the products of the entire county. Therefore, the samples comprising the exhibit shall have been gathered from at least ten different farms. No farm shall furnish or exceed 25 percent of the samples of the exhibit.
7. Photographs, diagrams, models, and figures may be used to illustrate the importance of livestock to the county.
8. All exhibits must be placed within the limits of the space provided. The booths will not be altered. The exhibitor is permitted to place sheets of plywood or wall board on the back wall of the exhibit space. The use of crepe paper is not permitted. The booths must be kept in condition satisfactory to the superintendent until the exhibits are officially released.
9. Each exhibit will be allotted space in the FFA Showcase Building (not to exceed 69 1/2" wide, 8' deep but may extend past the height of 7' 9 3/4" high) on a first-come, first-serve basis (7 spots are available). The sheaf grain and grasses are to be displayed upon the wall in decorative form; the threshed grain, seeds, fruits, vegetables, etc. will be shown on the table.
10. Sheaf grain is to be bound in bundles not less than two and one-half inches (2 1/2") in diameter at the middle band. Threshed grain and seeds will be shown in quantities of one gallon each, unless otherwise noted. Each article must be labeled with name of the variety. Only one exhibit of a variety will be judged. No extra credit will be given for more exhibits than those required in the score card.

11. Premium Schedule (but must meet at least 750 points to qualify):

Champion County Collective Booth	Reserve Champion County Collective Booth	3 rd Place	4 th Place	5 th Place	6 th Place	7 th Place
\$800 & plaque	\$750 & plaque	\$700	\$600	\$400	\$300	\$200

Scorecard for County Collective Booths:

Exhibits Element and/or criteria	Points
General Appearance	200
Display relates to the fair theme	50
Number of Farms Represented	50
Small Grain – Wheat, Oats, Barley, Sunflower or other crops (Maximum of 12 samples scored at 20 pts each)	240
-Wheat: One-gallon samples: Credit for up to 3 varieties	
-Wheat: Two- and one-half-inch bundles: Credit for up to 3 varieties	
-Oats: One-gallon samples: Credit for up to 3 varieties	
-Oats: Two- and one-half-inch bundles: Credit for up to 3 varieties	
-Barley: One-gallon samples: Credit for up to 3 varieties	
-Sunflower: One gallon of seed: Credit for up to 3 varieties	
-Sunflower: One head: Credit for up to 3 varieties	
In counties where oats are/or barley is not produced, a total of six (3 additional) varieties of wheat or other crops or products such as honey, cotton, etc., may be used for credit. For other crops or products see open classes for minimum exhibit; or check with superintendent for approval	
Corn and/or sorghum: Credit for 10 varieties: 20 pts each	200
-Corn: 5 ears of each variety	
-Sorghum: 5 heads of each variety	
Legumes: 2 kinds of varieties, 2 ½" bundle and one gallon of seed of each variety: 60 pts. each	120
Grasses: Cultivated and/or native, 5 specimens of each variety: 20 pts. each	100
Potatoes: Irish potatoes: 2 varieties, 5 specimens for each exhibit: 20 pts. each	40
Fruits and Vegetables: Total 10 exhibits: 15 each	150
-Vegetables: 6-7 exhibits, 5 specimens for each exhibit	
-Large Vegetables: one specimen per exhibit (e.g. watermelon)	
-Fruits: 3-4 exhibits, 5 specimens for each exhibit, not more than one exhibit from a variety	
Photography, diagrams, models and figures used to illustrate the importance of livestock in the county	50
TOTAL POINTS MAX	1,200

FFA AGRONOMY EXHIBITS

ALL ENTRIES IN THE FFA DIVISION MUST BE ENTERED ONLINE BY AUGUST 25.

- Any exhibits placing below 5th and not displayed will be released at the completion of judging.
- **Entries are for individual FFA members only, must be a product of their own Supervised Agricultural Experience program or a be a product of their own production/collection; not purchased, borrowed, leased or received through gift. All exhibits must be identified with individual's name, grade and chapter.** Exhibits not meeting class criteria may be discounted or disqualified.
- Champion FFA Crop Exhibit (Divisions 901-905) – Rosette
- Reserve Champion FFA Crop Exhibit (Divisions 901-905) – Rosette
- Champion FFA Agronomic Drawing (Divisions 906-908) – Rosette
- Reserve Champion FFA Agronomic Drawing (Divisions 906-908) – Rosette
- Overall Grand Champion FFA Agronomy Exhibit (Division 901-908) – Award
- Overall Reserve Grand Champion FFA Agronomy Exhibit (Division 901-908) – Award

DIVISION 901 – FFA AGRONOMIC CROP DISPLAY

Premiums/Awards for this Division: 1st – 5th place - Ribbons; Champion – Rosette; Reserve Champion – Rosette

An FFA member may exhibit one entry in this division. Crops used in this display should be common agronomic crops grown in Kansas. Display can be corn ears (10 ears), grain sorghum (10 heads), sunflower heads (2 heads), cotton (20 open bolls) or threshed grain (approximately one peck). All exhibits should be in a sturdy container with see through access. It is suggested to use a display box that is like the blueprint provided at https://www.okffa.org/docs/Grain%20Box%20Blueprints_95148.pdf. The pattern is on the last page of this handbook. **The display box is part of the exhibit and will be a part of the judging process. Each display should be identified with the common name of the agronomic crop displayed.** All exhibits must be identified with individual's name, grade and chapter. Top 5-10 may be displayed. Only one exhibit allowed per individual. **Exhibits not meeting class criteria may be discounted or disqualified.**

CLASSES

1. Agronomy Crop Display Grade 8-9-10
2. Agronomy Crop Display Grade 11-12

DIVISION 902 - FFA TAME AND LEGUME FORAGE GRASS EXHIBIT (One Bundle)

Premiums/Awards for this Division: 1st – 5th place - Ribbons; Champion – Rosette; Reserve Champion – Rosette

Bundle must be not less than 3 inches but no more than 5 inches at center band when cut near the ground. Should be cured (dry) before forming bundle. Will be judged on feeding value (green color, leafiness, fineness of stem, and best stage of maturity for each kind) and preparation of bundle, including neatness, cleanliness, uniformity and overall appearance. Undersized bundles, and wet or moldy bundles, will be disqualified. If Superintendent or judge deems that any bundle is old, from previous years, or is masked (New leaves over old) the Supt. has the right to disqualify the bundle. **All exhibits must be identified with individual's name, grade and chapter.** Only one exhibit allowed per class per individual. **Exhibits not meeting class criteria may be discounted or disqualified.**

CLASSES

1. Short Fine-stemmed Tame Forage Grass Bundle (Bermuda grass, Crabgrass, Kentucky Bluegrass etc.)
2. Fine-stemmed Forage Legume Bundle (Alfalfa, Sweet clover, Lespedeza, Vetch)
3. Tall Fine-stemmed Tame Forage Grass Bundle (Old World Bluestem, Weeping Lovegrass, Tall Fescue, Ryegrass, German Millet, etc.)
4. Coarse-stemmed Tame Forage Grass Bundle (Forage Sorghum, Sudangrass, or Sudangrass, X Sorghum Hybrids or Pearl Millets)

DIVISION 903 - FFA NATIVE GRASS EXHIBIT

(One Bundle)

Premiums/Awards for this Division: 1st – 5th place - Ribbons; Champion – Rosette; Reserve Champion – Rosette

Should be headed but not ripe enough to shatter and shown full length (cut near the ground). Bundle should be not less than 3 inches or more than 5 inches at center band. Should be cured (dried) before forming bundle. Each bundle will be considered on basis of early stage of maturity, leafiness, and green color; and on preparation and appearance of bundle. Undersized and oversized bundles and wet or moldy bundles will be disqualified. If Superintendent or judge deems that any bundle is old, from previous years, or is masked (New leaves over old) the Supt. has the right to disqualify the bundle. **All exhibits must be identified with individual's name, grade and chapter.** Only one exhibit allowed per class per individual. **Exhibits not meeting class criteria may be discounted or disqualified.**

MEDIUM OR SHORT NATIVE GRASS BUNDLE

CLASSES

1. Little Bluestem
2. Sand Lovegrass
3. Sideoats Grama
4. Blue Grama or Hairy Grama
5. Any other Short or Medium Native Grass

TALL NATIVE GRASS BUNDLE

6. Big Bluestem or Sand Bluestem
7. Indiangrass
8. Switchgrass
9. Purple Top
10. Any other Tall Native Grass

DIVISION 904 – FFA PASTURE AND RANGE PLANT DISPLAY EXHIBIT

Premiums/Awards for this Division: 1st – 5th place - Ribbons; Champion – Rosette; Reserve Champion – Rosette

These displays consist of ten representative plants mounted on LIGHTWEIGHT boards, measuring 3 feet square, strong enough to stand upright. Any other size will result in disqualification. The plants should be cut to prevent any part of the plant from extending beyond the edge of the board. Grasses and other fine-stemmed plants may be shown as bundles not to exceed one inch in diameter, and single plants that are heavy-stemmed or bushy may be used. Plants should be headed and in bloom or seed stage but not ripe enough to shatter. Label with common name. **All exhibits must be identified with individual's name, grade and chapter.** Displays will be judged on choice of species; quality of samples (green, color, leafiness, dryness and stage maturity); neatness and arrangement of samples

in general appearance of display; and correctness and readability of labels. Entries which are found to be misidentified or identical as a result of group preparation will be disqualified. The top five (5) in each class may be displayed. Only one Tame and one Native Display allowed per individual. **Exhibits not meeting class criteria may be discounted or disqualified.**

CLASSES

1. Tame Pasture Grass and Legume Plant Display (Grades 8-9-10) — Consists of Ten Introduced Pasture Grasses and Legumes Commonly Planted for Grazing Purposes
2. Tame Pasture Grass and Legume Plant Display (Grades 11-12) — Consists of Ten Introduced Pasture Grasses and Legumes Commonly Planted for Grazing Purposes
3. Native Range Plants (Grades 8-9-10) — Consists of Ten Native Plants (Grasses, Legumes and Forbs) Representative of Native Prairie Mixtures
4. Native Range Plants (Grades 11-12) — Consists of Ten Native Plants (Grasses, Legumes and Forbs) Representative of Native Prairie Mixtures

DIVISION 905 - FFA HAY SHOW

Premiums/Awards for this Division: 1st – 5th place - Ribbons; Champion – Rosette; Reserve Champion – Rosette

1. Limited to 5 entries per school per class and only one entry per student per class One small square bale will constitute an entry. **All exhibits must be identified with individual's name, grade and chapter.**
2. Classes of hay will include legume and non-legume.
3. Bales may be displayed outside for the duration of fair, or sprayed with fire retardant.
4. Factors considered by the judge will include maturity, texture, leafiness, freedom from foreign material, color, size and shape of bales, odor and freedom from mold.

CLASSES

1. Hay Show Grade 8-9-10
2. Hay Show Grade 11-12

DIVISION 906- FFA AGRONOMIC PLANT LIFE CYCLE DRAWING

Premiums/Awards for this Division: 1st – 5th place - Ribbons; Champion – Rosette; Reserve Champion – Rosette

This drawing should show all different stages of growth of the WHEAT plant (seed, seedling, vegetative, flowering and mature). Drawing to be done by hand and not printed. Additional stages of growth may be displayed if it adds to the exhibit. Each stage of growth should be indicated. Colors should be as near as possible to natural colors. Special characteristics for identification should also be labeled.

Drawing must include the title "Life Cycle of the Corn Plant." Use a half sheet of white poster board (finished size approx. 22" x 14"), or half sheet of white foam or mat board (finished size approx. 20" x 15") to be displayed for landscape. All exhibits must be identified with individual's name, grade and chapter. Only one exhibit allowed per individual. Exhibits not meeting class criteria may be discounted or disqualified.

CLASSES

1. Plant Life Cycle Grades 8-9-10
2. Plant Life Cycle Grades 11-12

DIVISION 907 - FFA SOIL SCIENCE DISPLAY POSTER

Premiums/Awards for this Division: 1st – 5th place - Ribbons; Champion – Rosette; Reserve Champion – Rosette

This drawing should show all different layers of a Soil Horizon (O, A, E, B, C, R). Each layer should be indicated. Colors should be as near as possible to natural colors. Special characteristics and definitions for identification should also be labeled. **Drawing must include the title "Average Soil Horizons". Use a half sheet of white poster board (finished size approx. 22" x 14") or half sheet of white foam or mat board (finished size approx. 20" x 15") to be displayed for landscape view. All exhibits must be identified with individual's name, grade and chapter. Only one exhibit allowed per individual. The top 3-5 drawings will be displayed. Exhibits not meeting class criteria may be discounted or disqualified.**

CLASS

1. Soil Science Display Grades 8-9-10
2. Soil Science Display Grades 11-12

DIVISION 908– FFA “Agronomic History” DISPLAY POSTER
Historical Events that Shaped Crop Production

Premiums/Awards for this Division: 1st – 5th place - Ribbons; Champion – Rosette; Reserve Champion – Rosette

The purpose of the contest is for FFA members to research and build a display to educate the public about historical events that have affected crop production in Kansas and the U.S. The topic for 2023 is **Soil Conservation**. FFA members must write a brief description of the of soil conservation and how it has changed Kansas agriculture over time. The story must be in manuscript form with not more than two double-spaced typewritten pages. In addition, one, and not more than one, 4” x 6” or 5” x 7” color or black and white photograph must accompany the story depicting the event. Each page of the story and the photograph must be mounted on one **full sheet (22” x 28”) black poster or foam/matte board (22’ x 30”)**. Posters are to be displayed horizontally. **All exhibits must be identified with individual’s name, grade and chapter.** Only one exhibit allowed per individual. **Exhibits not meeting class criteria may be discounted or disqualified.**

CLASSES

1. Agronomic History Grades 8-9-10
2. Agronomic History Grades 11-12

FFA AGRONOMY SWEEPSTAKES

FFA Chapter Crops Sweepstakes take the highest number of points accumulated in divisions 901-908.

Placing: **1st 2nd 3rd 4th 5th 6th 7th 8th 9th 10th**
 Points: 10 9 8 7 6 5 4 3 2 1

<u>Placing</u>	<u>Points</u>
Champion	3
Res. Champion	2
Grand Champion	6
Res. Grand Champion	4

With upper limit on total number of exhibits in class: Example: Four entries in class, points awarded 4-3-2-1. Ten or more entries in class points awarded 10-9-8-7-6-5-4-3-2-1-0.

- | | |
|--|--------------------------|
| 1. Grand Champion FFA Chapter Crops Sweepstakes | Award & \$150 |
| 2. Reserve Champion FFA Chapter Crops Sweepstakes | Award & \$100 |
| 3. 3rd Overall FFA Chapter Crops Sweepstakes | \$50 |

FFA HORTICULTURE

Department Manager: Johanna Andres

GRAND CHAMPION FFA HORTICULTURAL EXHIBIT
RESERVE GRAND CHAMPION FFA HORTICULTURAL EXHIBIT

Award
Award

ALL ENTRIES IN THE FFA DIVISION MUST BE ENTERED ONLINE BY AUGUST 25. www.kansasstatefair.com

These exhibits must be Supervised Agricultural Experience program projects of the FFA members who exhibit in this department. All fruits and vegetables exhibited must be grown by and cared by the exhibitor and not purchased, borrowed, leased or received through a gift. Only one exhibit allowed in each class per individual. There are no chapter exhibits in this division, only individual exhibits. All entries must be pre-entered on Showworks by August 25, 2023. **All exhibits must be identified with individual's name, grade and chapter.** **Any exhibit not properly identified or entered in the wrong class will be automatically disqualified.** All exhibits must not have been exhibited previously at the Kansas State Fair. The Department Manager reserves the right to not display any exhibits. All measurements and sizes specified are approximate according to industry standards. Exhibits which are showing signs of stress or damage may be removed with approval of the Department Manager. Exhibitors provide their own containers for exhibits. Exhibits of over-ripe and poor quality will be discarded and will not be judged. **All edible horticulture exhibits may be donated to an area food bank or other charitable group and may not be displayed based on the decision of the Department Manager.** Ribbons will be awarded to the top five (5) exhibits in each class.

DIVISION 909 - VEGETABLE AND FRUIT EXHIBITS

Awards for this Division: 1st – 5th place - Ribbons; Champion – Rosette; Reserve Champion – Rosette

Most items are to be displayed for judging on either disposable plates or bowls – provided by exhibitor. All edible horticulture exhibits will be donated to an area food bank or other charitable group if possible and may not be displayed based on the decision of the superintendent. Exhibits of over-ripe and poor quality will discarded not be judged.

CLASSES

1. Potatoes, White or Red, 4 specimens (displayed for judging on disposable plates– Exhibitor provided)
2. Okra, 6 specimens (displayed for judging on disposable plates– Exhibitor provided)
3. Onions, Yellow, White or Red, 4 specimens (displayed for judging on disposable plates– Exhibitor provided)
4. Eggplant, 2 specimens (displayed for judging on disposable plates– Exhibitor provided)
5. Pepper (Hot Peppers), 6 specimens (displayed for judging on disposable plates– Exhibitor provided)
6. Pepper (Sweet Peppers), 6 specimens (displayed for judging on disposable plates– Exhibitor provided)
7. Tomatoes (Large type), 4 specimens (displayed for judging on disposable plates– Exhibitor provided)
8. Tomatoes (Cherry type), 6 specimens (displayed for judging on disposable bowls– Exhibitor provided)
9. Pumpkin, 1 specimen
10. Cucumbers, Slicing or Pickling, 2 specimens (displayed for judging on disposable plates– Exhibitor provided)
11. Squash, any variety, 2 (displayed for judging on disposable plates– Exhibitor provided)
12. Watermelon, 1 specimen
13. Any Melon Other Than Watermelon, 1
14. Gourd, Ornamental, 1
15. Ornamental Peppers, 6 specimens (displayed for judging on disposable plates– Exhibitor provided)
16. Sweet Corn, Ornamental, 4 ears (displayed for judging on disposable plates– Exhibitor provided)
17. Pecans (native or improved), 18 specimens (in shell) exhibited in clear quart-size plastic bags only
18. Apples, (Red, Yellow or Green) 4 (displayed for judging on disposable plates– Exhibitor provided)
19. Pears, 4 (displayed for judging on disposable plates– Exhibitor provided)

**DIVISION 910 - FFA HORTICULTURE EDUCATIONAL
EXHIBITS
FFA PLANT LIFE CYCLE DISPLAY EXHIBIT**

Awards for this Division: 1st – 5th place - Ribbons; Champion – Rosette; Reserve Champion – Rosette

This drawing should show all different stages of growth of a **Strawberry** plant (seed, seedling, vegetative, flowering and mature). Additional stages of growth may be displayed if it adds to the exhibit. Each stage of growth should be indicated. Colors should be as near as possible to natural colors. Special characteristics for identification should also be labeled. **Drawing must include the title "Life Cycle of the Sunflower." Use a half sheet of WHITE poster board (finished size approx. 22" x 14") or half sheet of WHITE foam or matboard (finished size approx. 20" x15") to be displayed for landscape view. The student's name, chapter name and grade MUST be included on the backside of the poster.** Only one exhibit allowed in each class per individual. The top 3-5 drawings will be displayed. Grade level should be on the entry tag. **Exhibits not meeting class criteria may be discounted or disqualified.**

CLASS

1. Plant Life Cycle Display Grade 8-9-10
2. Plant Life Cycle Display Grades 11-12

DIVISION 911 - ASEXUAL PLANT PROPAGATION DRAWING

Awards for this Division: 1st – 5th place - Ribbons; Champion – Rosette; Reserve Champion – Rosette

This drawing should show all different stages of asexually propagating a plant (parent plant, propagation type, plant section, additional root growth, to full growth. For 2023, the plant will be African Violet. Each stage should be indicated. Colors should be as near as possible to natural colors. Special characteristics for identification should also be labeled. **Drawing must include the title "Asexual Propagation of an African Violet". Use a half sheet of white poster board (finished size approx. 22" x 14", or half sheet of white foam or mat board (finished size approx. 20" x 15" to be displayed for landscape view. The students name, chapter name and grade MUST be included on the backside of the poster.** The top 3-5 drawings will be displayed. Only one exhibit allowed in each class per individual. **Exhibits not meeting class criteria may be discounted or disqualified.**

CLASS

- 1 Grade 8-9-10
- 2 Grade 11-12

DIVISION 912 - HOME LANDSCAPE DRAWING

Awards for this Division: 1st – 5th place - Ribbons; Champion – Rosette; Reserve Champion – Rosette

Download template from www.ksffa.org and print on a sheet of legal sized (8 ½ " x 14") white paper. **Landscape drawings must be full color and drawn horizontally.** Finished drawing must be mounted on a half sheet of **BLACK** poster board (approximate finished size approx. 22" x 14") or a half sheet of **BLACK** foam or matboard (approximate finished size approx. 20" x15") to be displayed for landscape view. At the top, label the display "Home Landscape Drawing." On the right side of the foam board include a 2" x no more than 11" key/legend that must contain the following information: Scale, symbols of plants, numbers representing trees, shrubs, and plants (including the number of each used in the landscape). At the bottom of the key/legend include Name, Chapter and Date. A narrative that further describes the drawing may be included on the back, but is limited to 1 page, typed double spaced in 12-point font. Grade level should be on the entry tag. The top 3-5 drawings will be displayed. Only one exhibit allowed in each class per individual. **Exhibits not meeting class criteria may be discounted or disqualified.**

CLASS

- 1 Grades 8-9-10
2. Grade 11-12

DIVISION 913 - MINIATURE GREENHOUSES

Awards for this Division: 1st – 5th place - Ribbons; Champion – Rosette; Reserve Champion – Rosette

Size approx. 14" x 21", mounted on white painted plywood 16" x 24". Each exhibit must be accompanied by a graphic design plan showing climate control system, irrigation system, placement of benches and tables, etc. Plan should be on 8 1/2" x 11" paper enclosed in a plastic cover. No mechanical or electrical moving parts will be allowed. **The student's name, chapter name and grade MUST be visible.** The top 3-5 entries may be displayed. Only one exhibit allowed in each class per individual. **Exhibits not meeting class criteria may be discounted or disqualified.**

CLASS

1. Grades 8-9
2. Grade 10
3. Grade 11
4. Grade 12

FLORAL OR PLANT DESIGN

DIVISION 914 - TERRARIUMS, DISH GARDEN OR CREATIVE PLANT DISPLAY

Awards for this Division: 1st – 5th place - Ribbons; Champion – Rosette; Reserve Champion – Rosette

Small Enclosed Terrariums should be approximately one (1) gallon in size. Large Terrariums should be approximately three to five gallons in size. **No succulents or cacti should be in enclosed terrariums!** Grade level should be on the entry tag.

CLASS

1. Small Enclosed Terrariums
2. Large Enclosed Terrariums
3. Small Open Terrariums
4. Large Open Terrariums
5. Dish Garden or Creative Plant Display Grades 8-9-10 (3 specimens or more)
6. Dish Garden or Creative Plant Display Grade 11-12 (3 specimens or more)

DIVISION 915 - PAINTED/DECORATED PUMPKINS

Awards for this Division: 1st – 5th place - Ribbons; Champion – Rosette; Reserve Champion – Rosette

ONE (1) and only one decorated (not carved) pumpkin. No gourds. No other pumpkins or gourds can be attached. Pumpkin cannot have attachments that break the skin. No artificial pumpkins. Grade level should be on the entry tag. The top 3-5 drawings will be displayed. Only one exhibit allowed in each class per individual. **Exhibits not meeting class criteria may be discounted or disqualified.**

- | | |
|-------------------------------------|-------------------|
| 1. Grade 8-9 (decorated not carved) | 1st – 5th Ribbons |
| 2. Grade 10 (decorated not carved) | 1st – 5th Ribbons |
| 3. Grade 11 (decorated not carved) | 1st – 5th Ribbons |
| 4. Grade 12 (decorated not carved) | 1st – 5th Ribbons |

DIVISION 916 - FLORAL DESIGN

Awards for this Division: 1st – 5th place - Ribbons; Champion – Rosette; Reserve Champion – Rosette

All materials used in exhibits must contain dried or artificial materials only. Any arrangement with any artificial material will be classified artificial. Grade level should be on the entry tag.

FLORAL ARRANGEMENT (DRIED, NATURAL) –

ALL material must be dried or natural products. Up to approximately 24" in size)

1. Dried/Natural (Grades 8-10)
2. Dried/Natural (Grades 11-12)

FLORAL ARRANGEMENT (ARTIFICIAL) - Up to approximately 24" in size)

3. Artificial Arrangement (Grades 8-9-10)
4. Artificial Arrangement (Grades 11-12)

FLORAL ARRANGEMENT (SEASONAL OR OCCASIONAL - Up to approximately 24" in size)

5. Seasonal or occasional Arrangement (Grades 8-9-10)
6. Seasonal or occasional Arrangement (Grades 11-12)

FLORAL ARRANGEMENT (NOVELTY) –

Up to approximately 24" in size Accessory in the arrangement must tie to the container to be considered novelty

7. Novelty Arrangement (Grades 8-9-10)
8. Novelty Arrangement (Grades 11-12)

FLORAL ARRANGEMENT (WEDDING)

9. Wedding Bouquet
10. Wedding Arrangement (table size only)

FLORAL ARRANGEMENT (CORSAGE)

11. Wristlet
12. Shoulder (Grades 8-9-10)
13. Shoulder (Grades 11-12)
14. FFA Week
15. Homecoming (artificial) (Grades 8-9-10)
16. Homecoming (artificial) (Grades 11-12)

FLORAL ARRANGEMENT (BOUTONNIERE)

17. Artificial Boutonniere (Grades 8-9-10)
18. Artificial Boutonniere (Grades 11-12)

FLORAL ARRANGEMENT (WREATHS -DRIED, NATURAL - Up to approximately 24" in size)

19. Dried Natural Wreath (**ALL** material must be dried or natural products)

FLORAL ARRANGEMENT (WREATHS- ARTIFICIAL - Up to approximately 24" in size)

20. Artificial Wreath (Grades 8-9-10)
21. Artificial Wreath (Grades 11-12)

FLORAL ARRANGEMENT (WREATHS - SEASONAL - Up to approximately 24" in size)

22. Seasonal or occasional Wreath (Grades 8-9-10)
23. Seasonal or occasional Wreath (Grades 11-12)

FLORAL ARRANGEMENT (WALL OR DOOR SWAGS)

24. Dried/Natural Wall or Door Swag
25. Artificial Wall or Door Swag

FFA CHAPTER HORTICULTURE SWEEPSTAKES

FFA Chapter Horticulture Sweepstakes take the highest number of points accumulated in divisions 909-916.

Placing: **1st 2nd 3rd 4th 5th 6th 7th 8th 9th 10th**

Points: 10 9 8 7 6 5 4 3 2 1

Placing	Points
Champion	3
Reserve Champion	2
Grand Champion	6
Reserve Grand Champion	4

With upper limit on total number of exhibits in that class: Example: Four (4) entries in class points awarded 4-3-2-1. Example: Ten or more entries in class points awarded 10-9-8-7-6-5-4-3-2-1.

- | | |
|--|---------------------------|
| 1. Grand Champion Chapter Horticultural Sweepstakes | Plaque & \$150 |
| 2. Reserve Grand Champion Chapter Horticultural Sweepstakes | Plaque & \$100 |
| 3. 3rd Overall Chapter Horticultural Sweepstakes | Plaque & \$75 |

DIVISION 917 - FFA CHAPTER AGRICULTURAL MECHANICS EXHIBIT

Department Manager: Jerry Schmidt

Premiums/Awards: Classes 1 – 9: 1st - \$25, 2nd - \$20, 3rd - \$15; Ribbons 1st – 5th places.

Classes 10 – 17: 1st - \$10, 2nd - \$5; Ribbons 1st – 5th places.

Grand Champion Agricultural Mechanics Exhibit	Award & \$150
Reserve Grand Champion Agricultural Mechanics Exhibit	Award & \$125
Third Overall Agricultural Mechanics Exhibit	Award & \$100
Fourth Overall Agricultural Mechanics Exhibit	Award & \$75
Fifth Overall Agricultural Mechanics Exhibit	Award & \$50

ALL ENTRIES IN THE FFA DIVISION MUST BE ENTERED ONLINE BY AUGUST 25.

1. Must have been constructed by FFA members enrolled in Agricultural Education. Entries may be individually, or chapter constructed. Designation as an individual project or chapter project must be made at time of entry.
2. An article can be shown only once at the Kansas State Fair and must have been constructed during the previous two school years.
3. All articles must be clean and in a presentable condition even though they may have been used during the year.
4. Pictures showing operation of the project may be displayed with the exhibit.
5. Each exhibit shall have a sign showing chapter, ownership, a detailed bill of materials with cost, and a suggested retail price.
6. Entries will be judged on the basis of workmanship, structure and design, practicability, safety, and materials used.
7. Exhibits in Classes 3-5 must be factory manufactured equipment that has been reconditioned/repaired/restored. It is recommended that 1 to 3 photographs of the project before start of restoration is included with the material list.)
8. Exhibits in Class 16, 17 and 18 "Small Projects," should be less than 2 ft. in length or less than 20 lbs. in weight.
9. Where an exhibit is entered in the wrong class the Superintendent will make the determination and transfer it to the proper class.
10. The judge will not award premiums or points for entries in any class that do not meet acceptable standards of quality.
11. All exhibits to be displayed in a safe manner.

AGRICULTURAL MECHANICS EXHIBIT SCORECARD

Workmanship		
a.	General appearance (neatness and finish)	15 pts.
b.	Skills (careful workmanship and number of skills)	30 pts.
Structure and Design		
a.	Strength and durability	20 pts.
b.	Originality (mainly for addition of accessories to a standard design or original design, if practical)	5 pts.
Practicability		
a.	Labor saving on the farm or aesthetically pleasing	15 pts.
b.	Convenience and usefulness	10 pts.
Material		
a.	Economic choice of material	5 pts.

FFA AGRICULTURAL MECHANICS Classes

1. Trailers & Wagons 16 ft. and over
2. Trailers & Wagons Under 16 ft (16 ft. is the cargo area)
3. Tractor Repair/Restoration
4. Lawn/Garden Tractor repair/restoration
5. Reconditioned Machinery and Equipment
6. Livestock Production Products (squeeze chute, divider, panels, clipping chutes, lamb & goat stands)
7. Farmstead & Crop Improvement (gates, angel or box blade, mailboxes, hydraulic post drivers,)
8. Shop Improvement (welding tables, sawhorses, torch carts, anvils)
9. Truck bed, Racks & Pickup Accessories
10. Smokers, Grills & Cookers with hitches
11. Patio Cookers, Grills & Smokers
12. Outdoor Furniture (picnic tables, benches, swings, etc.)
13. Hobby/Recreation (deer stand, clay target, thrower, weight benches)
14. Manual Farmstead Tools (post driver, Tee post puller, etc.)
15. Indoor Furniture (end tables, chairs, hall trees, bed frames, etc.)
16. Decorative Small Projects (paperweight, horseshoe projects, hand-cut projects, piggybanks, etc.)
17. Functional Small Projects (lamp, hat rack, boot jack, towel racks, doorknockers, doorbells, etc.)
18. Small Projects produced primarily from CNC Machines
19. Large Projects produced primarily from CNC Machines
20. Other projects not fitting in the above categories (subject to approval, and projects may be moved to this class by superintendent)

FFA CHAPTER MECHANICS SWEEPSTAKES

FFA Chapter Mechanics Sweepstakes takes the highest number of points accumulated in the mechanics department.

Classes:	1st	2nd	3rd	4th	5th	6th	7th	8th	9th	10th
1-3	40	38	36	34	32	30	28	26	24	22
4-12	30	28	26	24	22	20	18	16	14	12
13-20	20	18	16	14	12	10	8	6	4	2
Top 5 Overall	10	8	6	4	2					

- | | |
|---|---------------|
| 1. Grand Champion Chapter Agricultural Mechanics Sweepstakes | Award & \$500 |
| 2. Reserve Grand Champion Chapter Agricultural Mechanics Sweepstakes | Award & \$450 |
| 3. Third Overall Chapter Agricultural Mechanics Sweepstakes | Award & \$400 |
| 4. Fourth Overall Chapter Agricultural Mechanics Sweepstakes | Award & \$300 |
| 5. Fifth Overall Chapter Agricultural Mechanics Sweepstakes | Award & \$200 |

FFA COMMUNICATIONS and LEADERSHIP

DIVISION 918 - FFA PHOTOGRAPHY SERIES

Awards for this Division: 1st – 5th place - Ribbons; Champion – Rosette; Reserve Champion – Rosette

ALL ENTRIES IN THE FFA DIVISION MUST BE ENTERED ONLINE BY AUGUST 25. Kansas FFA members include photographs as a part of their scrapbooks, State Proficiency Award applications, chapter scrapbooks, and chapter award applications. The purpose of the photography contest is to provide an opportunity for individual FFA members to showcase their talent in photography while preparing for these state award applications.

1. Entry must contain **five**, 5" x 7" or 4" x 6" color prints that **were taken by the member**. Only one entry per exhibitor.
2. The series must be mounted on **half** sheet poster board (approximate finished size 22" x 14"), or **half** sheet of foam or mat board (approximate finished size 20" x 15") to be displayed for landscape view. **Exhibits not meeting class criteria may be discounted or disqualified.**
3. Pictures on newsprint or those that have been mechanically altered will not be accepted.
4. **Must relate to the member's Supervised Agricultural Experience program (SAE) or to FFA activities.**
5. Captions may be used with each picture. Captions are to be in 12-point font and not exceed 50 words per caption.
6. Entries will be judged on subject matter, effectiveness, photo quality and composition. The top 5 placing may be displayed.

CLASS

1. Photography Grades 8-9
2. Photography Grade 10
3. Photography Grade 11
4. Photography Grade 12

DIVISION 919 - FFA NEWS REPORTING

Awards for this Division: 1st – 5th place - Ribbons; Champion – Rosette; Reserve Champion – Rosette

1. FFA members are encouraged to submit newsworthy articles and pictures about outstanding accomplishments of individual FFA members and/or their local chapter to all forms of print and broadcast media. The purpose of the News Reporting contest is to recognize individual FFA members for their talent and accomplishment in this area.
2. The news story must be in manuscript form with not more than three double-spaced typewritten pages. One, and not more than one, 4" X 6" or 5" x 7" color or black and white photograph must accompany the story. Each page of the story and the photograph must be mounted on **one full sheet** (22" x 28") **black** poster or **black** foam/matte board (22"x30"). Posters are to be displayed horizontally. **Exhibits not meeting class criteria may be discounted or disqualified.**
3. Article must relate to Agricultural Education and/or FFA. Entries will be judged on the basis of news value, readability and organization.

CLASS

1. FFA News Reporting Grades 8-9-10
2. FFA News Reporting Grade 11-12

DIVISION 920 - AGRISCIENCE PROJECT DISPLAY

1. The purpose of the Agriscience Project Display is to provide an opportunity for individual FFA members to compete in a science fair related to agriculture. Members who have developed a project based on the application of scientific principles and emerging technologies in agriculture are eligible. It is also designed to educate parents, school officials, and the public about career opportunities available for Agriscience students.
2. Categories are Animal Systems, Environmental Services/Natural Resource Systems, Food Products and Processing Systems, Plant Systems, Agricultural Power, Structural and Technical Systems and Social Systems. Kansas State Fair will not separate into divisions for ages or teams.
3. The Agriscience Project Display must meet size requirements for the National FFA Agriscience Fair.
4. Due to space limitations only the top 5 Agriscience Projects may be displayed.
5. Judging criteria for the Agriscience Project Display: Creative ability/originality: 25 points, Scientific thought/goal: 25 points, Supporting evidence: 25 points, Poster appearance: 25 points, **TOTAL: 100 points**
6. Interviews will be conducted not be conducted. Only the display board/poster will be evaluated.
7. Ribbons awarded to 1st-5th in each category: Animal Systems, Plant Systems, Food Products & Processing, Environmental Science/Natural Resources, Power, Structural and Technical Systems, Social Science.
8. **Premiums awarded to the overall winners:** 1st Plaque and \$25.00— 2nd Plaque and \$20.00, 3rd -\$15.

FFA CHAPTER LEADERSHIP SWEEPSTAKES

FFA Chapter Crops Sweepstakes take the highest number of points accumulated in divisions 918-920.

Placing: **1st 2nd 3rd 4th 5th 6th 7th 8th 9th 10th**

Points: 10 9 8 7 6 5 4 3 2 1

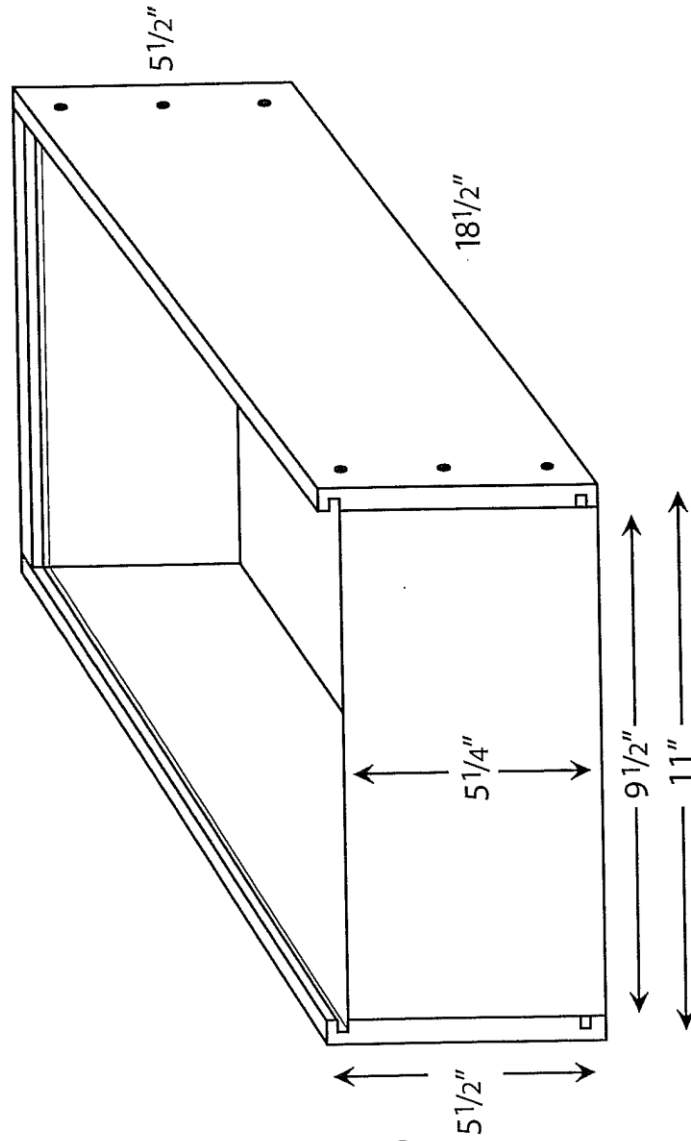
<u>Placing</u>	<u>Points</u>
Champion	3
Res. Champion	2
Grand Champion	6
Res. Grand Champion	4

With upper limit on total number of exhibits in class: Example: Four entries in class, points awarded 4-3-2-1. Ten or more entries in class points awarded 10-9-8-7-6-5-4-3-2-1-0.

- | | | |
|----|---|---------------------------|
| 1. | Grand Champion FFA Chapter Leadership/Communications Sweepstakes | Plaque & \$100 |
| 2. | Reserve Champion FFA Chapter Leadership/Communications Sweepstakes | Plaque & \$75 |
| 3. | 3rd Overall FFA Chapter Leadership/Communications Sweepstakes | \$50 |

Grain Display Box

- Back piece is $9\frac{1}{2}$ " x $5\frac{1}{2}$ " inside.
- Grooved for glass at top and masonite for bottom.



- Notch:
 $\frac{1}{4}$ " in
 $\frac{1}{4}$ " from top

- Use 1" x 6" wood.
- Glass for top is $17\frac{1}{2}$ " x 10"

- Groove bottom notches same as top:
 $\frac{1}{4}$ " from bottom
 $\frac{1}{4}$ " in for bottom wood

- Use $\frac{1}{2}$ " Masonite or plywood.
Nail in place.